


TABLE "A" RAFTER SPANS (DOUGLAS FIR #2 OR BETTER)			TABLE "B" HEADER SIZE & SPANS (DOUGLAS FIR #2 OR BETTER)			TABLE "C" FOOTING SIZE	TABLE "D" LEDGER BOLTING
SIZE	SPACING	SPAN	RAFTER SPAN	HEADER		BASED ON 1000 P.S.F. SOIL BEARING PRESSURE.	ALL LAG BOLTS SHALL HAVE 1/4" PRE-DRILLED HOLES - (SEE NOTE 2)
				SPAN	SIZE		
2 x 4	12" O.C.	9' - 10"	UP TO 12'-0"	8'-0" MAX	4 x 6	18" SQ. X 12" DEEP	(2) 5/16" DIA X 4 1/2" LONG LAG BOLTS AT 16" O.C. ONE TOP ONE BOTTOM STAGGERED
	16" O.C.	8' - 11"		10'-0" MAX	4 x 8	18" SQ. X 12" DEEP	
	24" O.C.	7' - 8"		12'-0" MAX	4 x 10	18" SQ. X 12" DEEP	
	32" O.C.	*6' - 3"		14'-0" MAX	4 x 12	18" SQ. X 12" DEEP	
2 x 6	12" O.C.	15' - 4"	12'-1" TO 20'-0"	8'-0" MAX	4 x 8	24" SQ. X 12" DEEP	
	16" O.C.	13' - 9"		10'-0" MAX	4 x 10	24" SQ. X 12" DEEP	
	24" O.C.	11' - 3"		12'-0" MAX	4 x 12	24" SQ. X 12" DEEP	
	32" O.C.	*9' - 7"		14'-0" MAX	4 x 14	24" SQ. X 12" DEEP	
2 x 8	12" O.C.	20' - 0"		8'-0" MAX	4 x 8	24" SQ. X 12" DEEP	
	16" O.C.	18' - 2"		10'-0" MAX	4 x 10	24" SQ. X 12" DEEP	
	24" O.C.	14' - 10"		12'-0" MAX	4 x 12	24" SQ. X 12" DEEP	
	32" O.C.	*12' - 8"		14'-0" MAX	4 x 14	24" SQ. X 12" DEEP	
2 x 10	12" O.C.	20' - 0"		8'-0" MAX	4 x 8	24" SQ. X 12" DEEP	
	16" O.C.	20' - 0"		10'-0" MAX	4 x 10	24" SQ. X 12" DEEP	
	24" O.C.	18' - 11"		12'-0" MAX	4 x 12	24" SQ. X 12" DEEP	
	32" O.C.	*16' - 2"		14'-0" MAX	4 x 14	24" SQ. X 12" DEEP	
4 x 4	24" O.C.	10' - 0"		8'-0" MAX	4 x 8	24" SQ. X 12" DEEP	
	32" O.C.	*9' - 3"		10'-0" MAX	4 x 10	24" SQ. X 12" DEEP	
	48" O.C.	*7' - 8"		12'-0" MAX	4 x 12	24" SQ. X 12" DEEP	
4 x 6	24" O.C.	15' - 11"		8'-0" MAX	4 x 8	24" SQ. X 12" DEEP	
	32" O.C.	*13' - 9"		10'-0" MAX	4 x 10	24" SQ. X 12" DEEP	
	48" O.C.	*11' - 3"		12'-0" MAX	4 x 12	24" SQ. X 12" DEEP	
4 x 8	24" O.C.	20' - 0"		8'-0" MAX	4 x 8	24" SQ. X 12" DEEP	
	32" O.C.	*18' - 2"		10'-0" MAX	4 x 10	24" SQ. X 12" DEEP	
	48" O.C.	*14' - 10"		12'-0" MAX	4 x 12	24" SQ. X 12" DEEP	

- NOTES:**
- TWO 2X MEMBERS MAY BE SUBSTITUTED FOR ONE 4X HORIZONTAL FRAMING MEMBER.
 - LAG BOLTS MUST FULLY ENGAGE A WOOD STUD OR RIM JOIST AND BE PROVIDED WITH APPROPRIATE WASHERS. LAG BOLTS SHALL BE LOCATED A MINIMUM OF 1-1/2" FROM THE TOP OR BOTTOM OF THE LEDGER.
 - NOT DESIGNED TO BE ENCLOSED - ADDITIONAL ENGINEERING ANALYSIS WILL BE REQUIRED IF ENCLOSED.
 - SEE PAGE 2 OF 2 FOR CONSTRUCTION DETAILS.
 - ARTIFICIAL LIGHTING IS REQUIRED IN ROOMS THAT HAVE WINDOW OPENINGS INTO THE COVERED PATIO AREA IF THE TOTAL WINDOW AREA IN THAT ROOM IS LESS THAN 10% OR THE FLOOR AREA OF THE ROOM OR 20 SQUARE FEET, WHICHEVER IS GREATER.

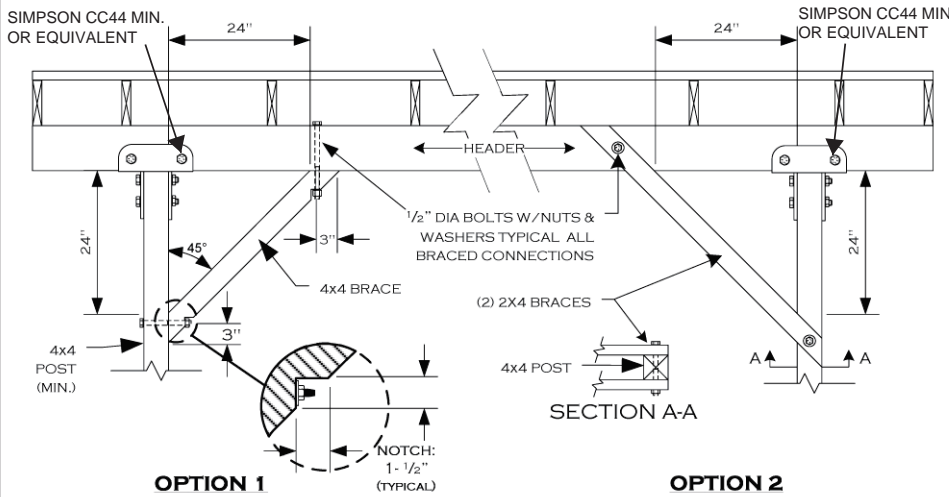
DISCLAIMER:
ALTERNATE PATIO DESIGNS MAY BE POSSIBLE WHEN PROVIDED WITH AN ENGINEERED ANALYSIS. USE OF THIS CONVENTIONAL STANDARD DESIGN IS AT THE USER'S RISK AND CARRIES NO IMPLIED OR INFERRED GUARANTEE AGAINST FAILURE OR DEFECTS.

* THIS SPACING AND SPAN IS FOR LATTICE PATIO COVERINGS ONLY.

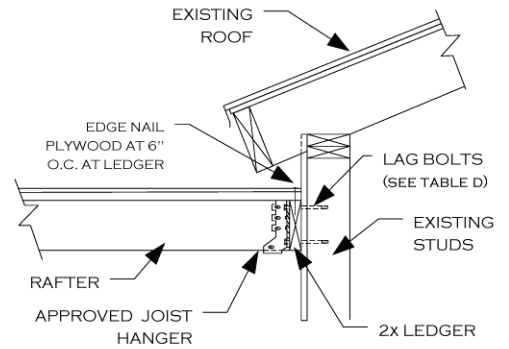
****NOT FOR USE IN SNOW LOAD AREAS OR FIRE ZONES****

COUNTY OF SAN BERNARDINO	
 SAN BERNARDINO COUNTY	COUNTY OF SAN BERNARDINO Building & Safety Division
	PATIO COVER STANDARD
385 N. Arrowhead Ave. San Bernardino, CA 92415	
(909) 387-8311	05/16/2016
PAGE 1 OF 2	

KNEE BRACE DETAIL AT END POSTS



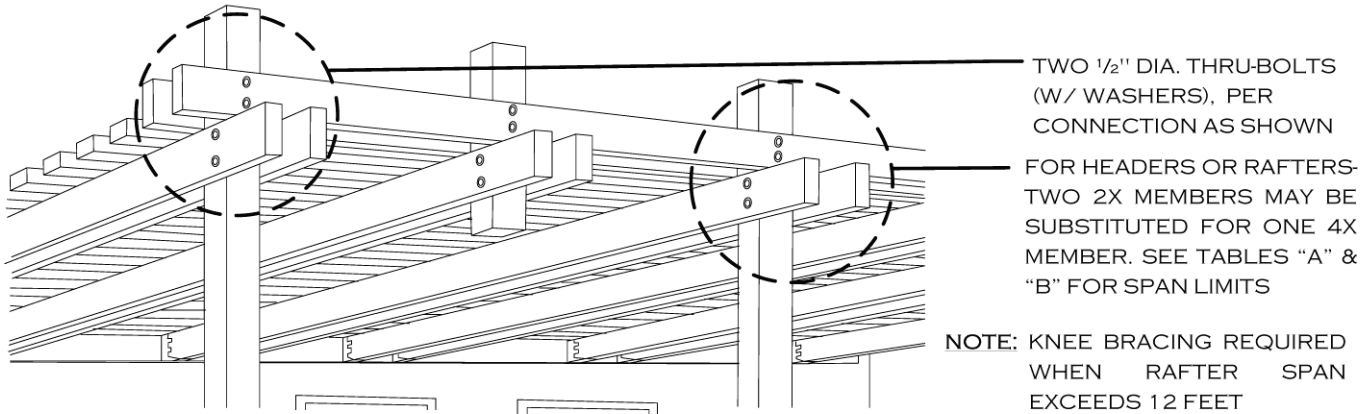
LEDGER ATTACHMENT DETAIL



NOTES:

1. USE A CONTINUOUS 2X LEDGER – SAME DEPTH AS RAFTER OR LARGER
2. SEE TABLE "D" FOR BOLTING REQUIREMENTS

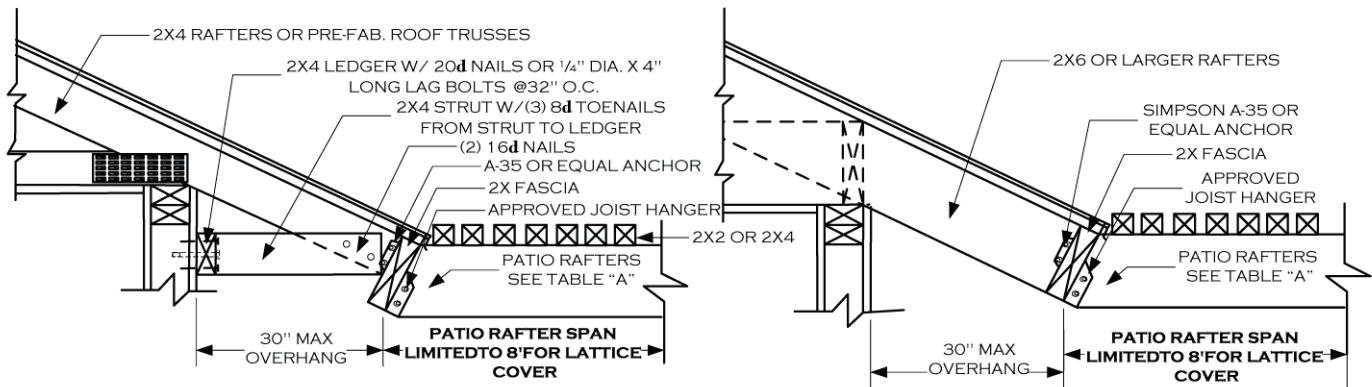
INVERTED HEADER DESIGN OPTION (LATTICE ONLY)



2X FASCIA (OVERHANG) ATTACHMENT – LATTICE ONLY

OPTION 1

OPTION 2



NOTE: VERIFY STRUCTURAL SOUNDNESS OF ROOF RAFTERS FOR DECAY OR TERMITE DAMAGE, AND REPLACE WITH LIKE MATERIALS AS NEEDED, AFTER CONSULTATION WITH THE BUILDING DEPARTMENT.

****NOT FOR USE IN SNOW LOAD AREAS OR FIRE ZONES****



(909) 387-8311

COUNTY OF SAN BERNARDINO

COUNTY OF SAN BERNARDINO
Building & Safety Division

PATIO COVER STANDARD

385 N. Arrowhead Ave.
San Bernardino, CA 92415

05/16/2016

PAGE 2 OF 2